
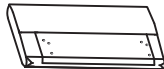
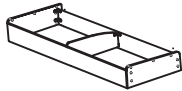




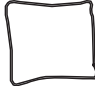




ASSEMBLY INSTRUCTION FOR ACME FURNITURE MODEL# LV03890

Thank you for purchasing the quality product. Be sure to check all packing material carefully for small parts which may have come loose inside the carton during shipment. Separate, identify and count all parts and metal hardware. Compare with all parts list to be sure all parts are present. If any part(s) are missing or damaged, please contact your local furniture dealer. For efficient and speedy service, please indicate the model number and code letter of part(s) needed.










**Do not fully tighten screws until fully assembled **

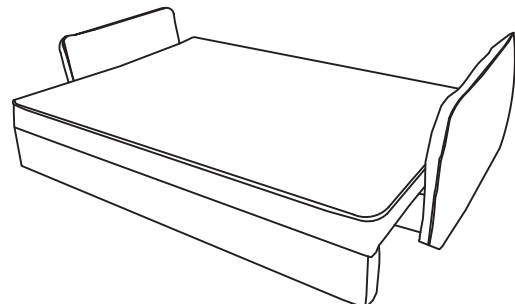
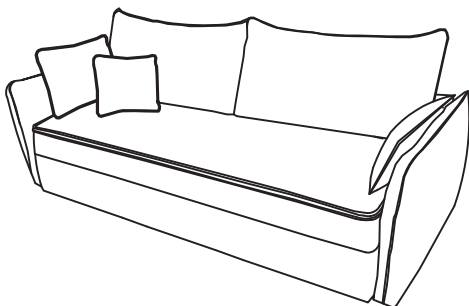
COMPONENT PARTS		
DESCRIPTION	PART NAME	QTY (PCS)
①	Left Armrest 	1
②	Right Armrest 	1
③	Storage Box 	1
④	Side Fastener (Left) 	1
⑤	Side Fastener (Right) 	1
⑥	Seat Frame 	1
⑦	Backrest 	1
⑧	Armrest Pillow 	2
⑨	Back Cushion 	2
⑩	Throw Pillow 	1

Attention

*** Some number parts listed on the instruction sheet may not be in parts bag as they may already be assembled. Carefully check parts and packing materials prior to ordering replacements.

HARDWARE REQUIRED

(A)		M6*65 screw	4	PCS
(B)		4# wrench	1	PCS
(C)		M6*20 screw	2	PCS
(D)		Spacer *8	8	PCS
(E)		M8*65 screw	8	PCS
(F)		5# wrench	1	PCS
(G)		Wooden Foot	6	PCS
(H)		Location Pin	2	PCS
(I)		Cotter Pin	2	PCS

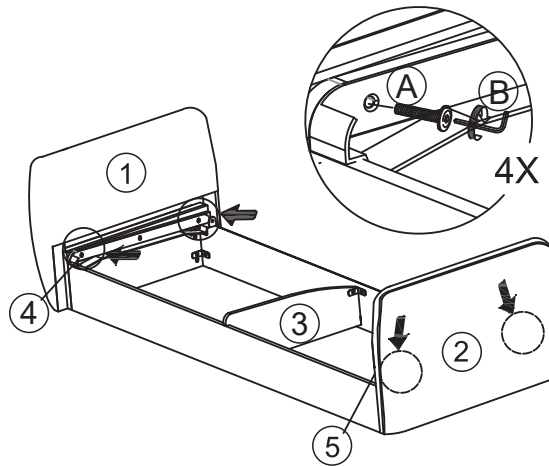


Attention

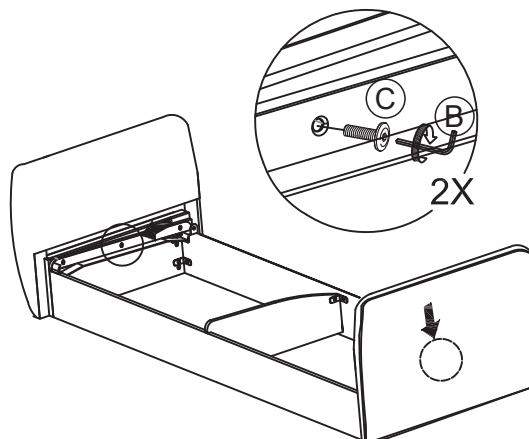
*** Some number parts listed on the instruction sheet may not be in parts bag as they may already be assembled. Carefully check parts and packing materials prior to ordering replacements.

How to assemble:

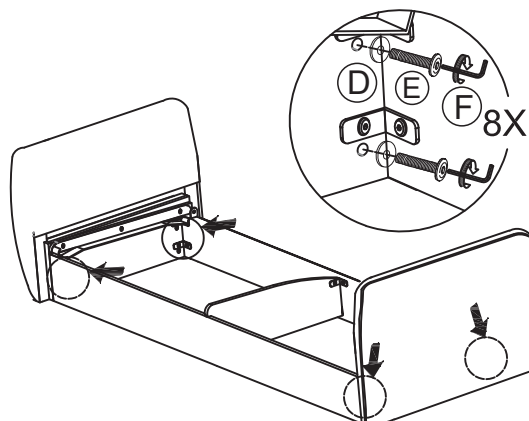
STEP 1 : Install the side fasteners with M6*65 screw as picture



STEP 2 : Install the side fasteners with M6*20 screw as picture

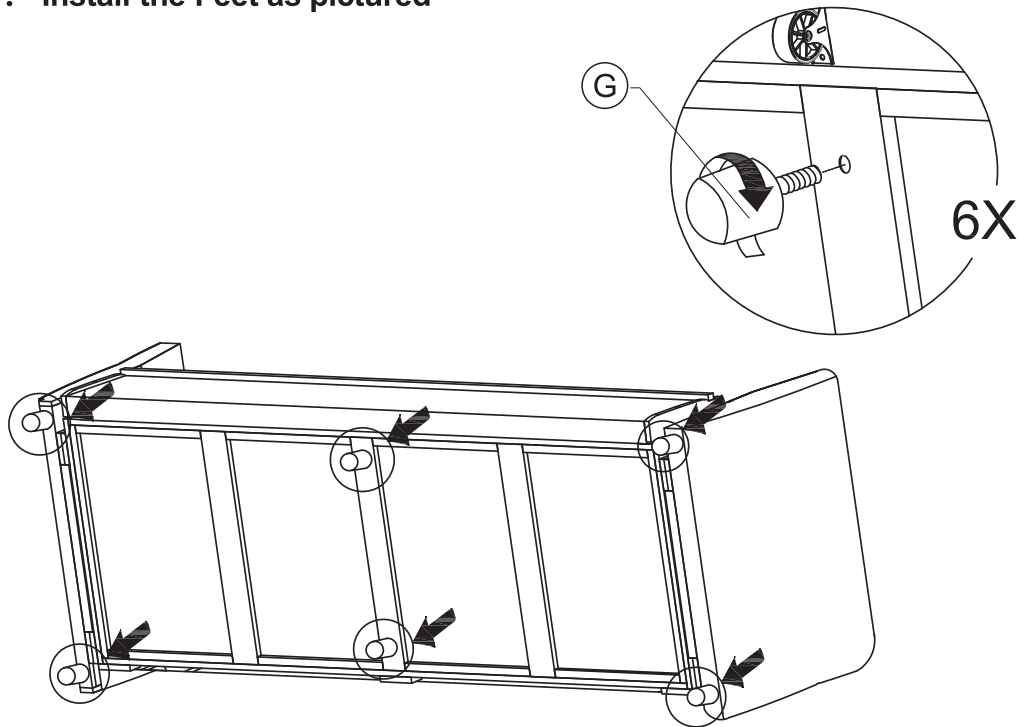


STEP 3 : Fix the lower mouth with a spacer and M8 screw to secure the storage box with the armrest.

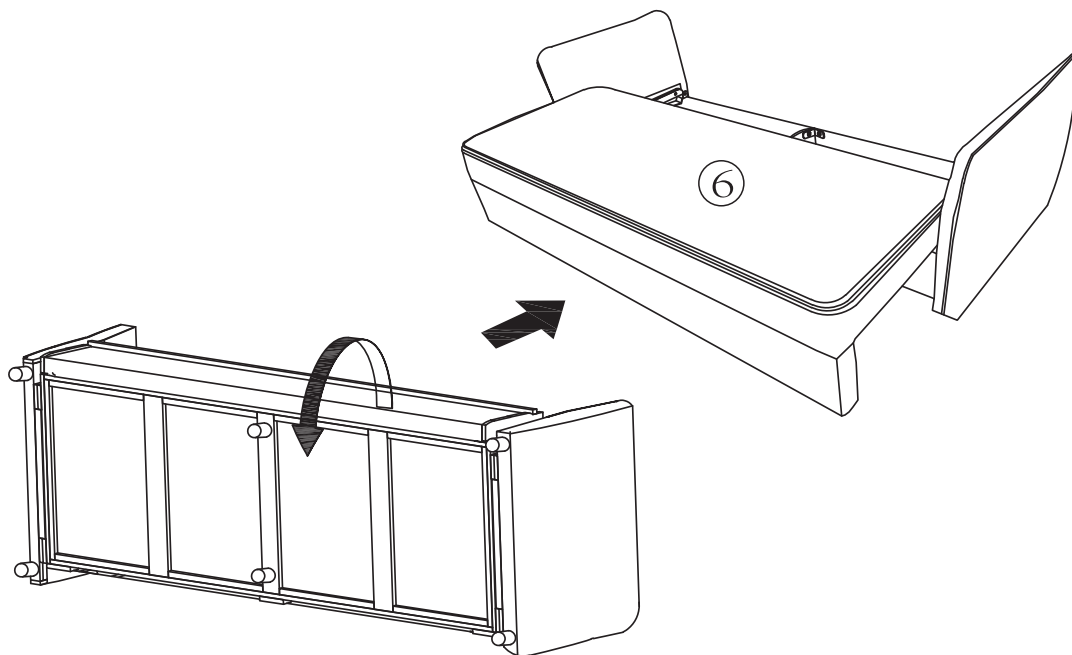


How to assemble:

STEP 4 : Install the Feet as pictured

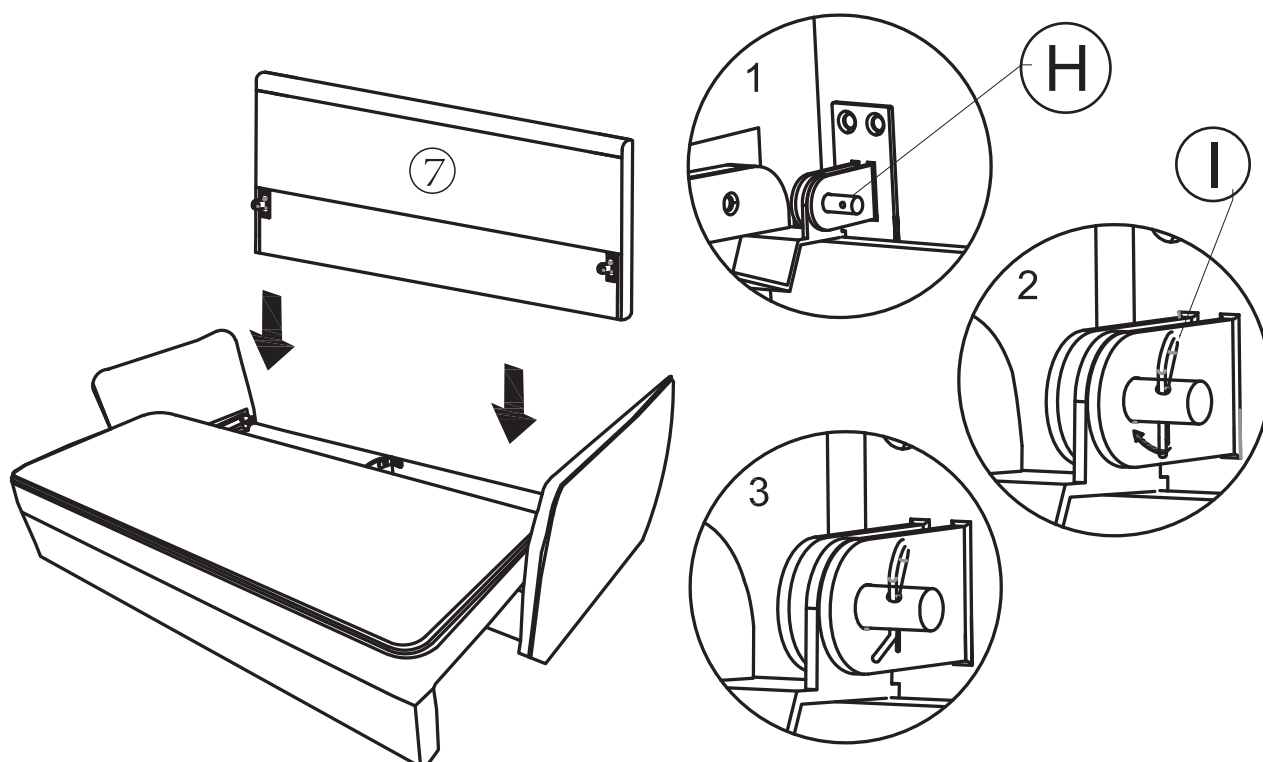


STEP 5 : Turn the sofa right and pull out the seat frame

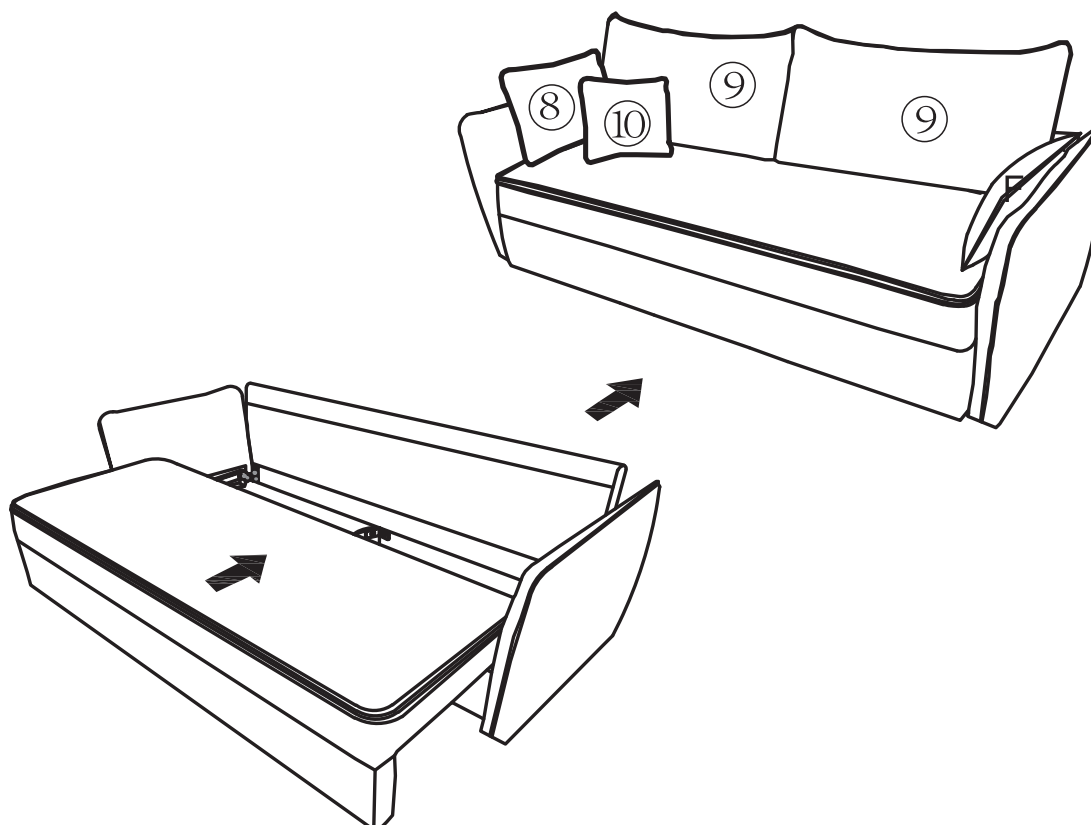


How to assemble:

STEP 6: Connect the Sofa base with Backrest ⑦ by Pin ⑨

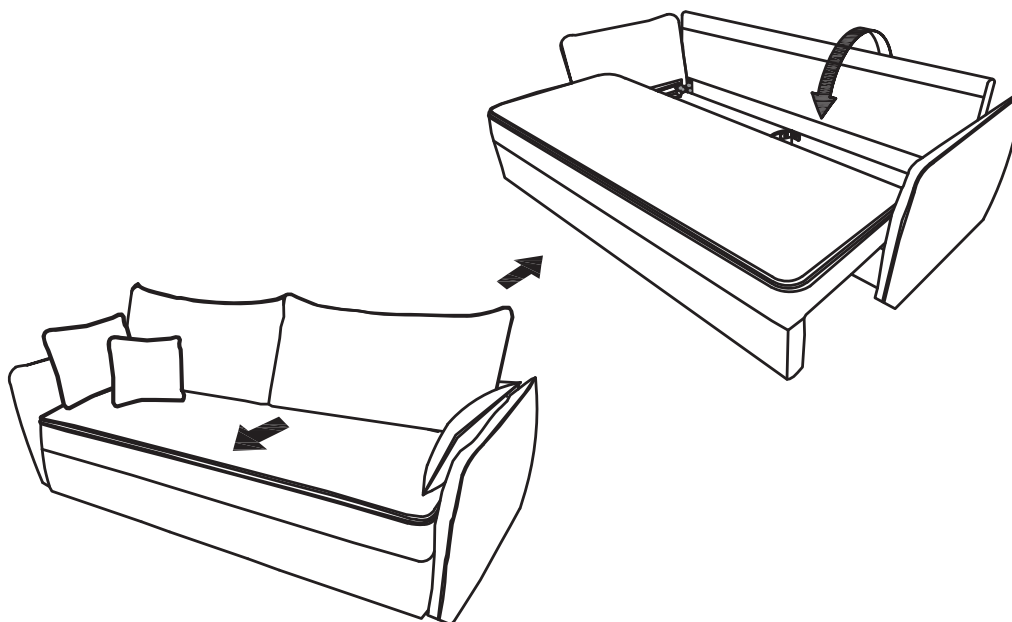


STEP 7 : Push the seat frame forward and place the pillows

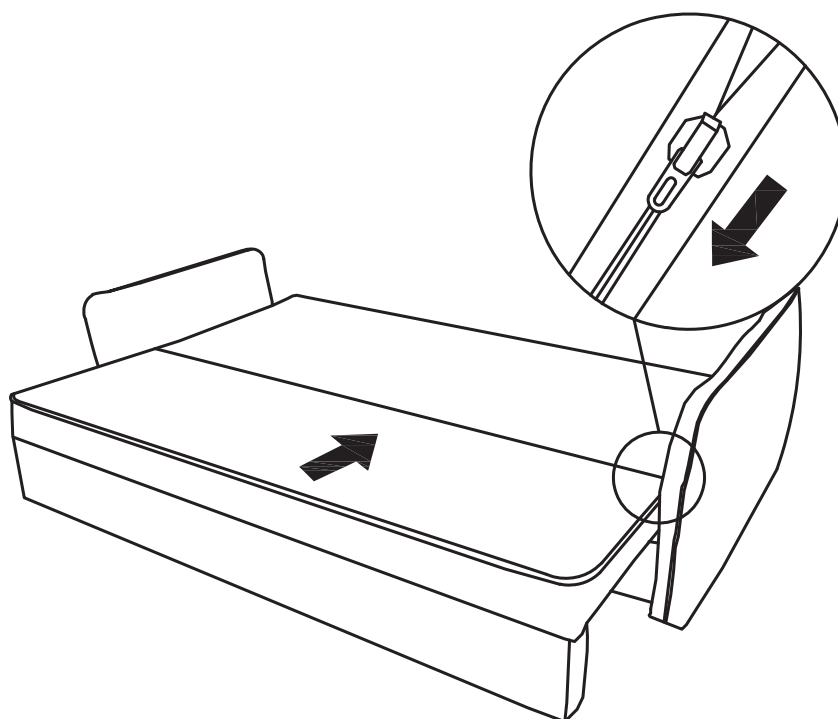


How to assemble:

STEP 8: Remove the cushions, and pullout the sofa base.



STEP 9 : Lay down the backrest and unzip the sofa base,keeping it level with the base.



How to assemble:

STEP 10 : Congrats, you get a sofa bed !

